



URBAN POT
USA & CANADA
TOLL FREE: 1-833-723-1300
EMAIL: info@urbanpot.com
www.urbanpot.com

CUSTOM ALUMINUM PLANTERS

MATERIAL : ALUMINUM 5052H32

THICKNESS : 1/8" to 1/4"

COLOR : POWDER COAT PAINT (*RAL color to be confirmed*)

DIMENSIONS : CUSTOM

SHAPE : SQUARE, RECTANGLE, ROUND OR CUSTOM

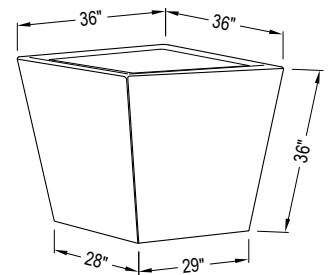
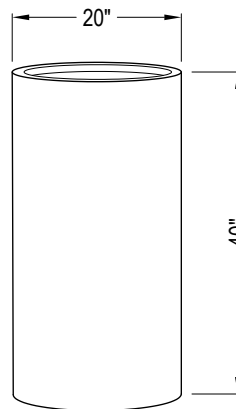
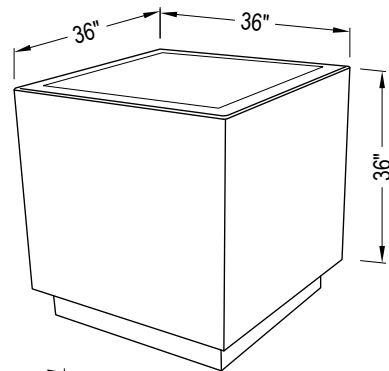
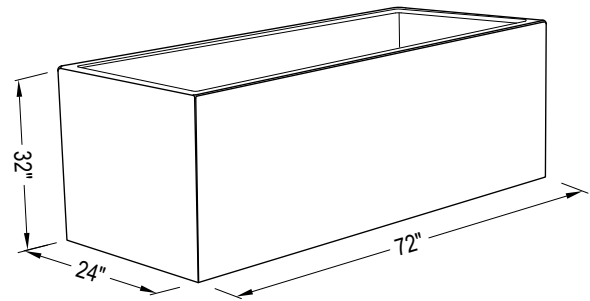
TOP LIP : 1" to 4"

OPTIONS :

- Drainage holes
- Casters
- Forklift channels
- Led lights
- Insulation & Geotextile
- Levelling feet (stainless)
- Benches (Treated Wood, IPE Wood, Composite Wood)
- Toe Kick

ALL DIMENSIONS CUSTOMIZABLE TO SUIT DESIGN

URBAN POT CUSTOM METAL PLANTERS ARE MANUFACTURED TO YOUR SPECIFICATIONS USING HEAVY GAUGE POWDER COATED ALUMINUM OR CORTEN STEEL.



NOTES:

1. THIS DRAWING IS INTENDED FOR USE BY ARCHITECTS, ENGINEERS, CONTRACTORS, CONSULTANTS AND DESIGN PROFESSIONALS FOR PLANNING PURPOSES ONLY. THIS DRAWING MAY NOT BE USED FOR CONSTRUCTION.
2. ALL INFORMATION CONTAINED HEREIN WAS CURRENT AT THE TIME OF DEVELOPMENT BUT MUST BE REVIEWED AND APPROVED BY THE PRODUCT MANUFACTURER TO BE CONSIDERED ACCURATE.

